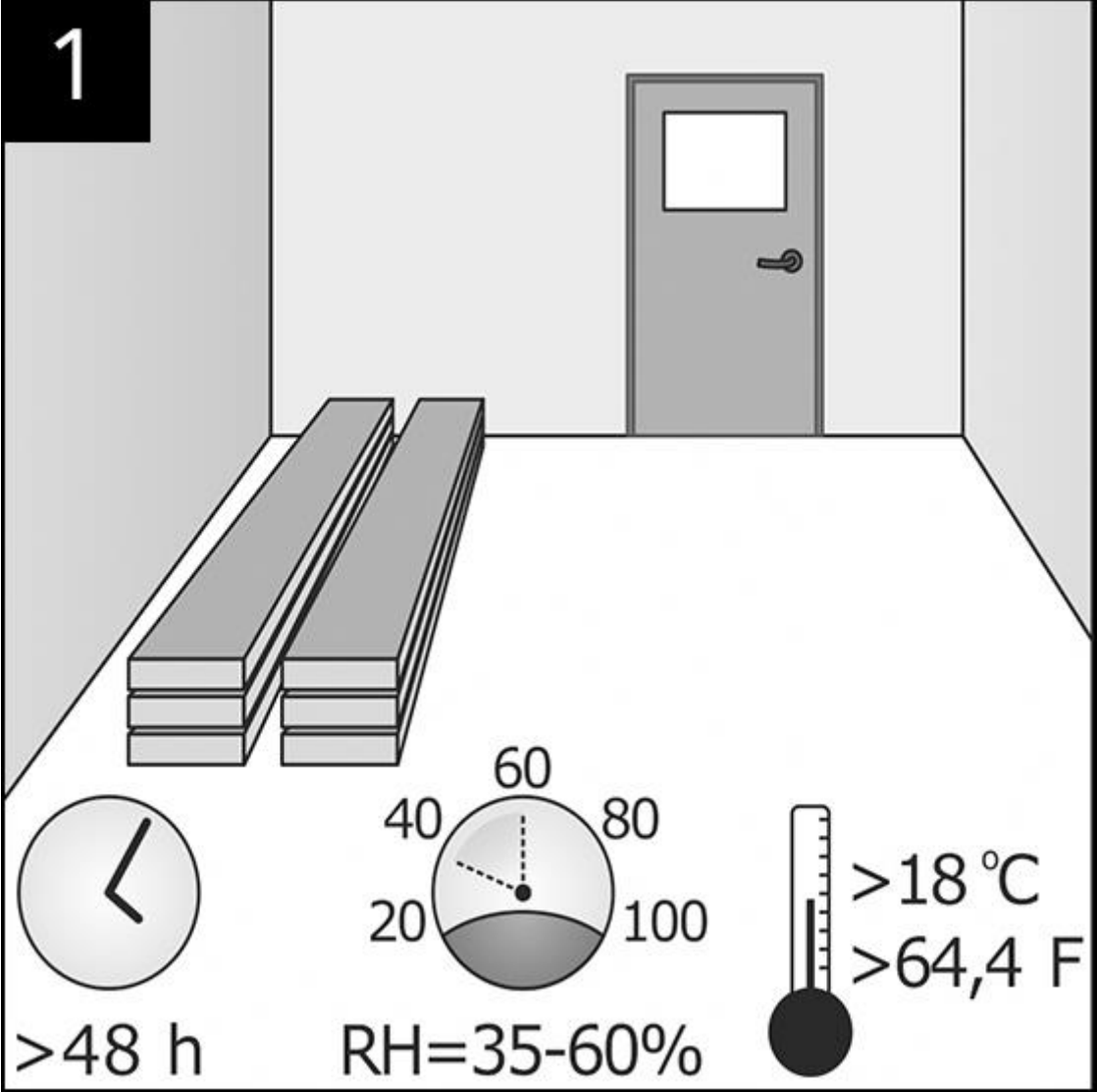
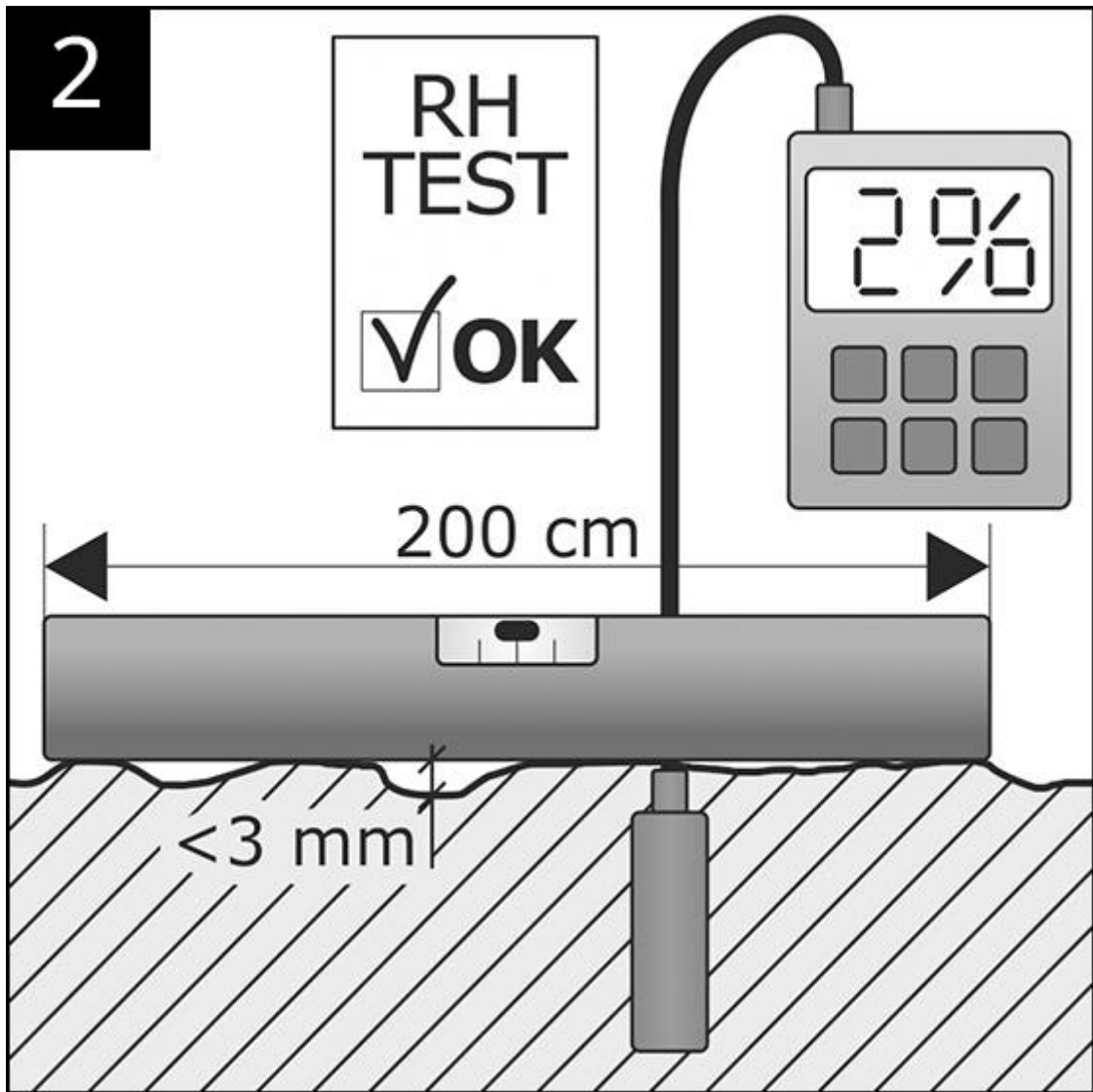


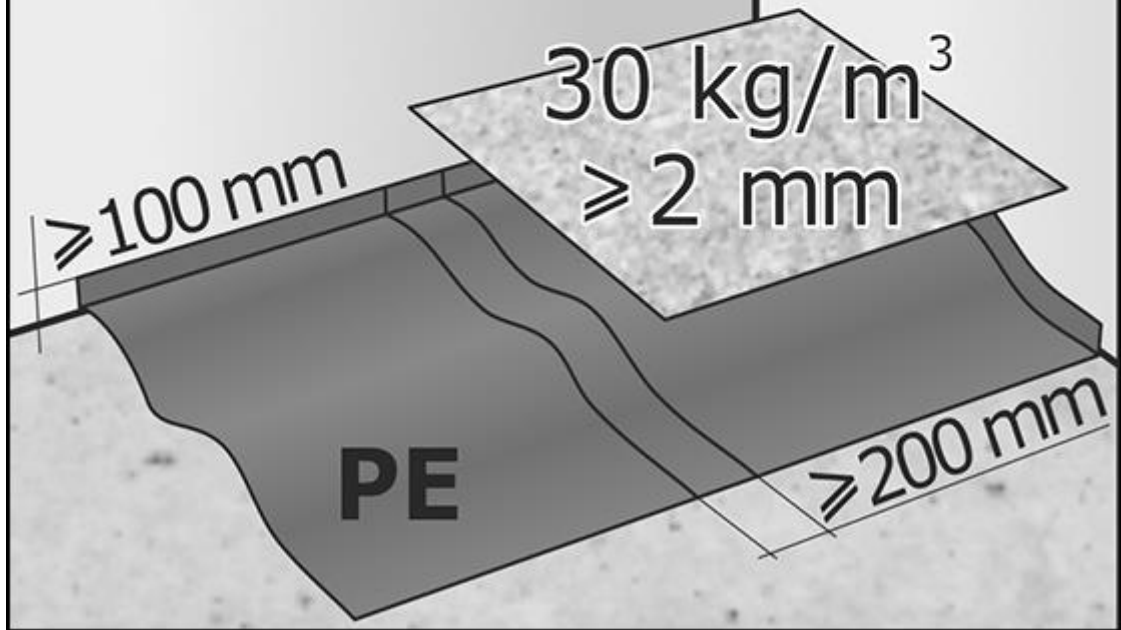
5G™ FOLD DOWN FLOOR ASSEMBLY



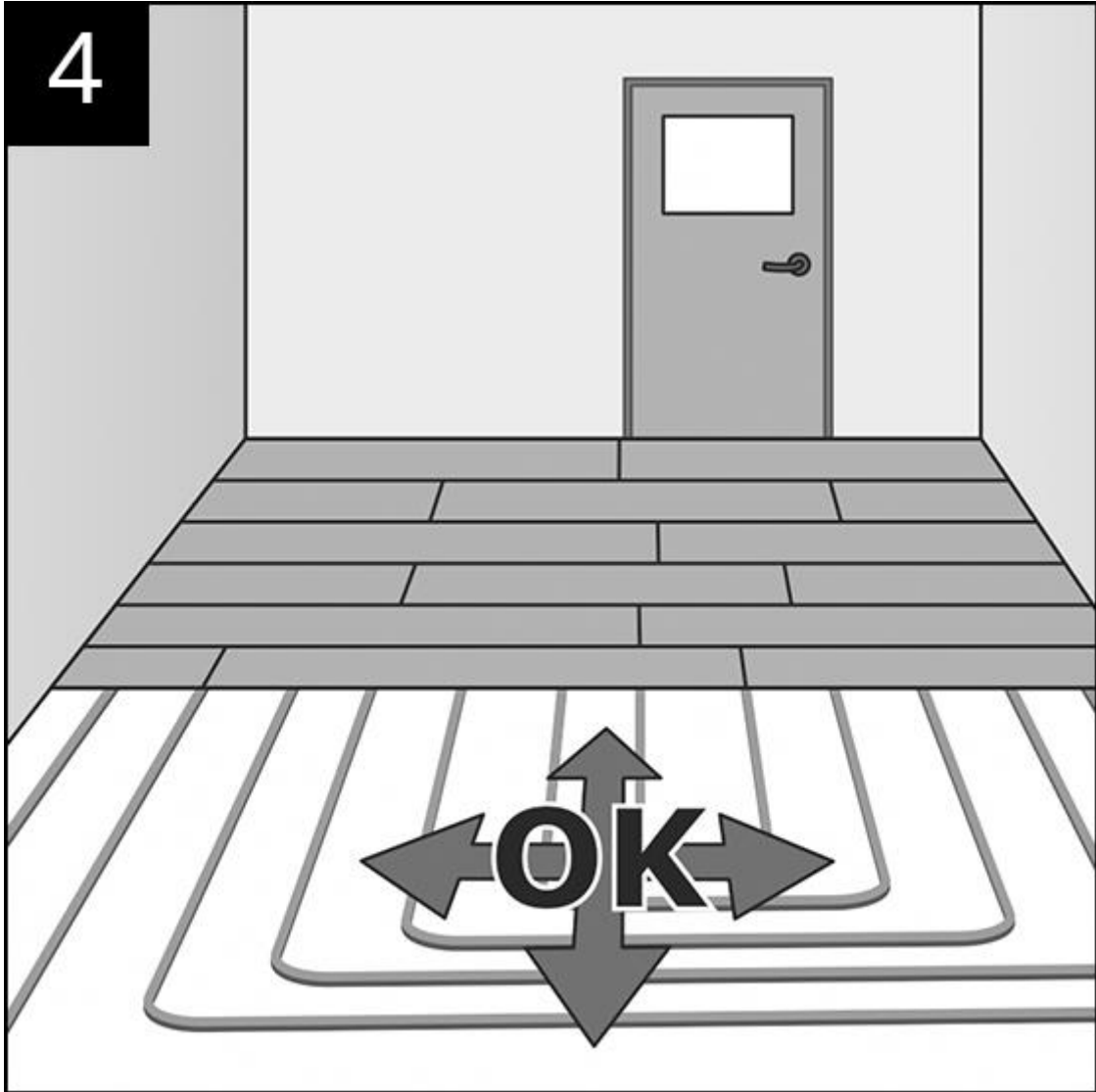


3

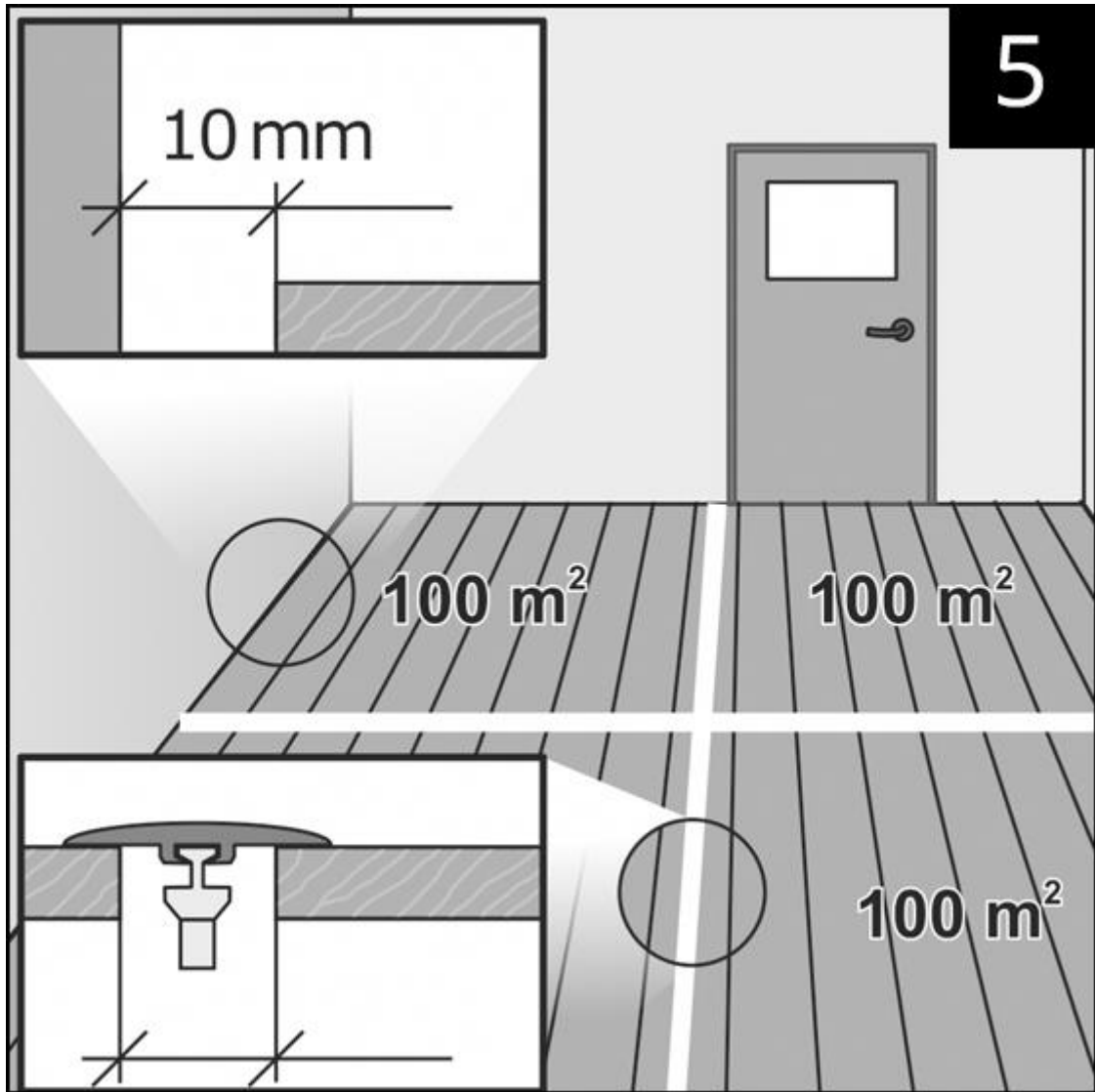
PE  $\geq 0,2$  mm

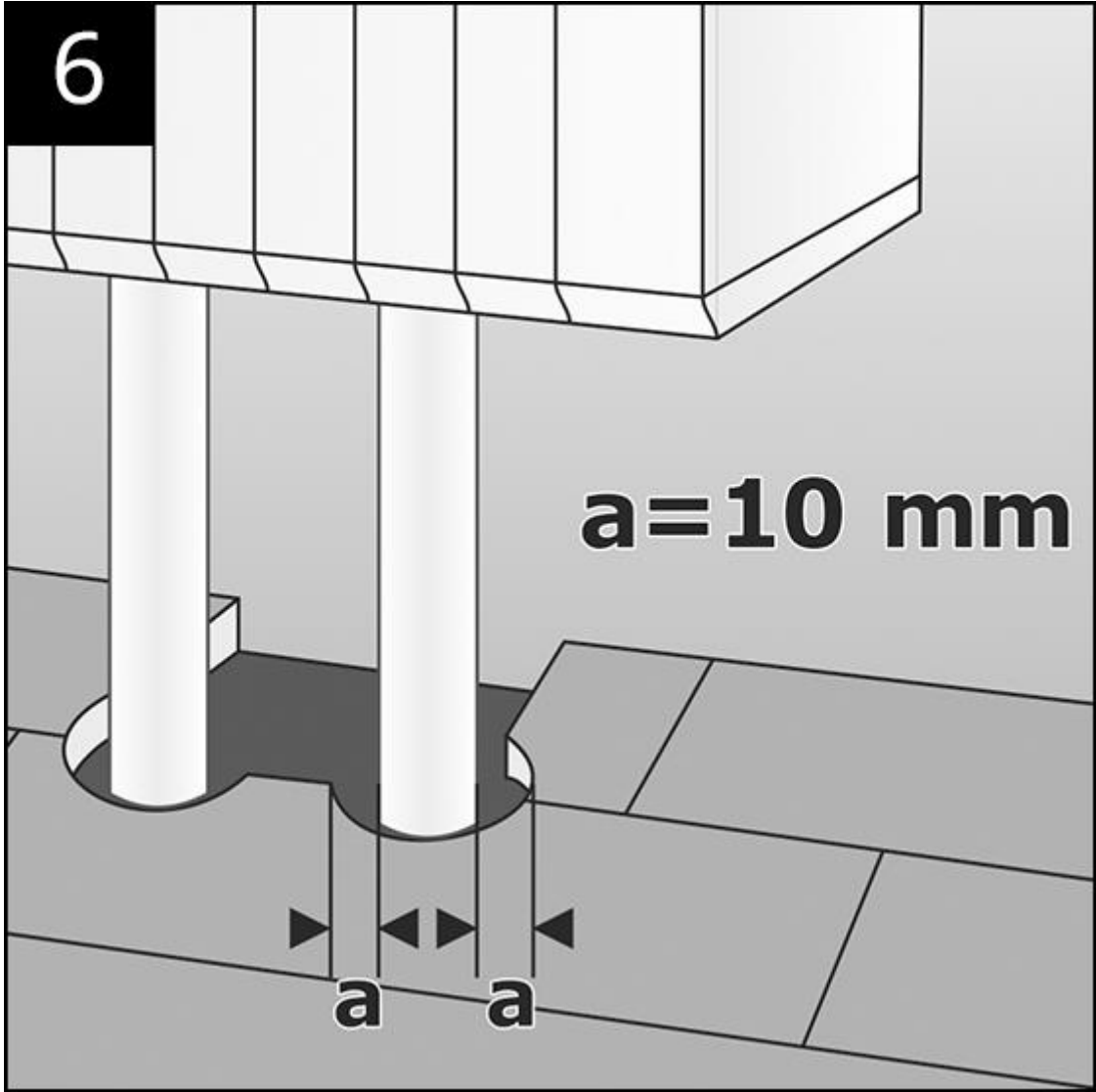


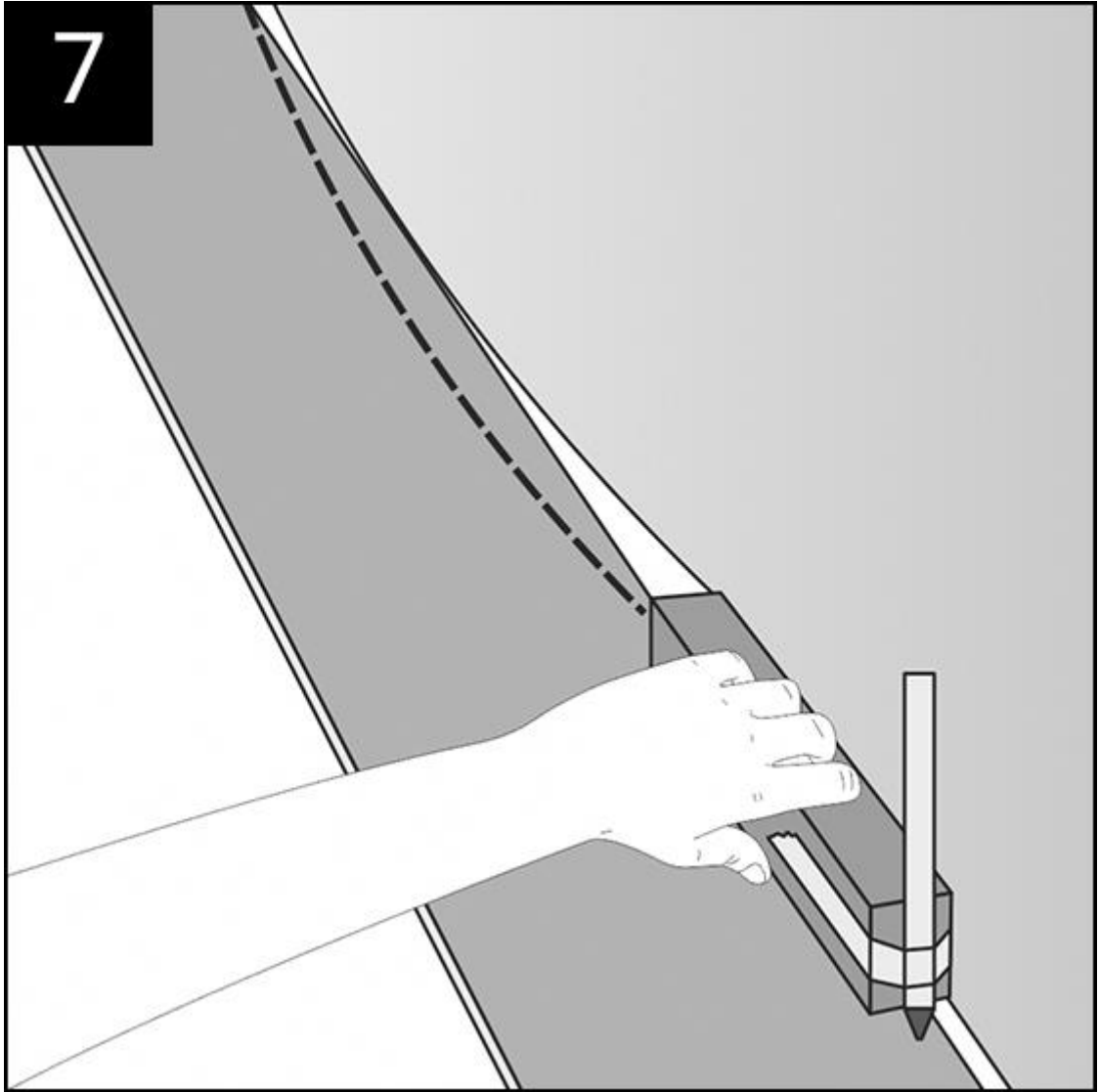
4



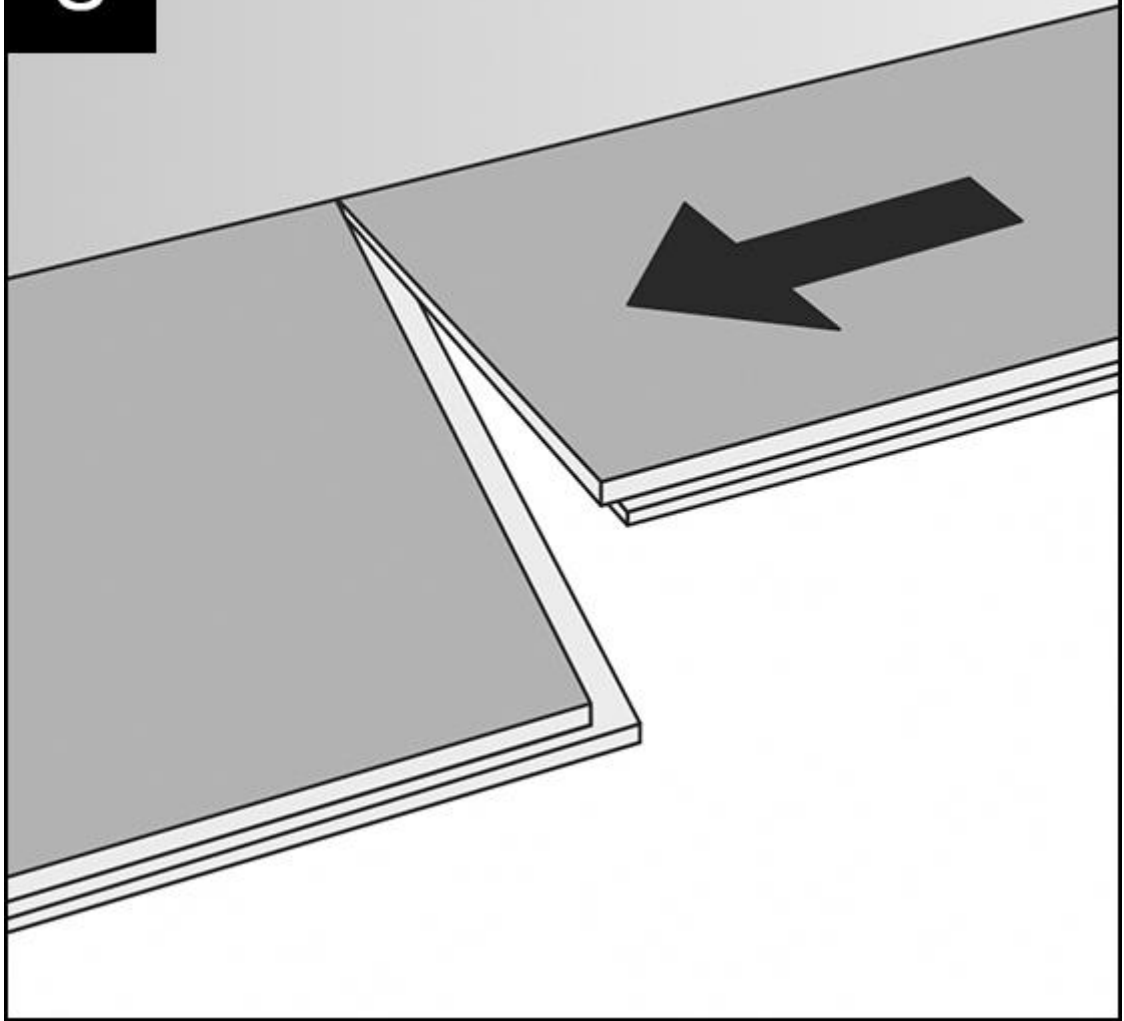
5



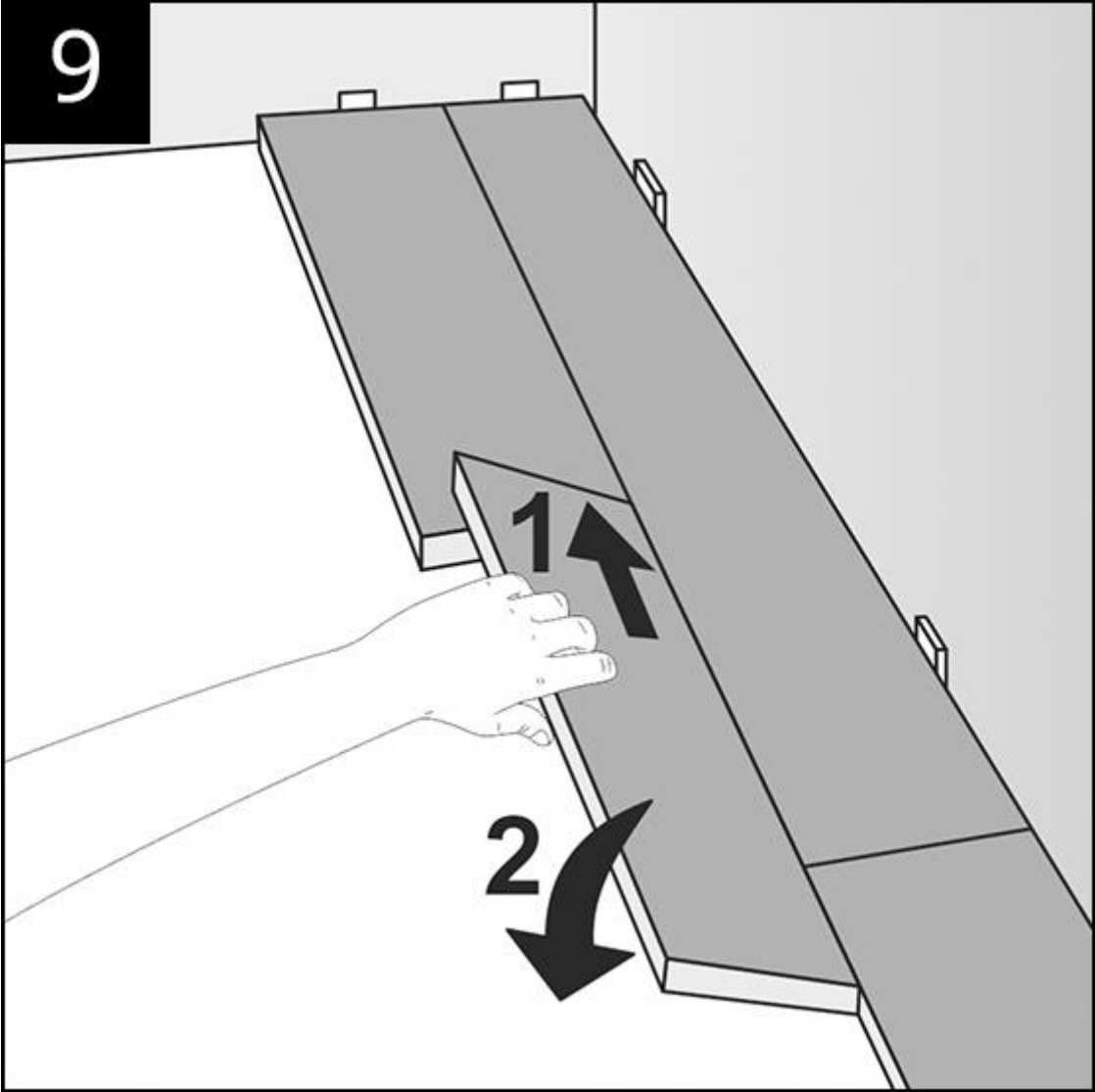




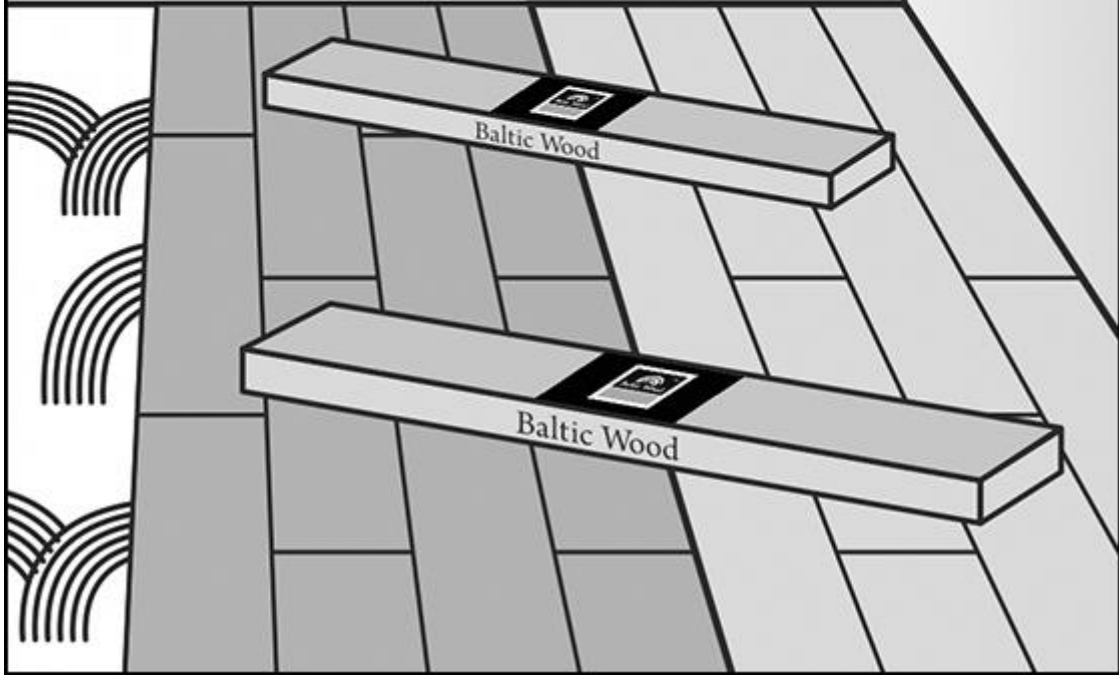
8



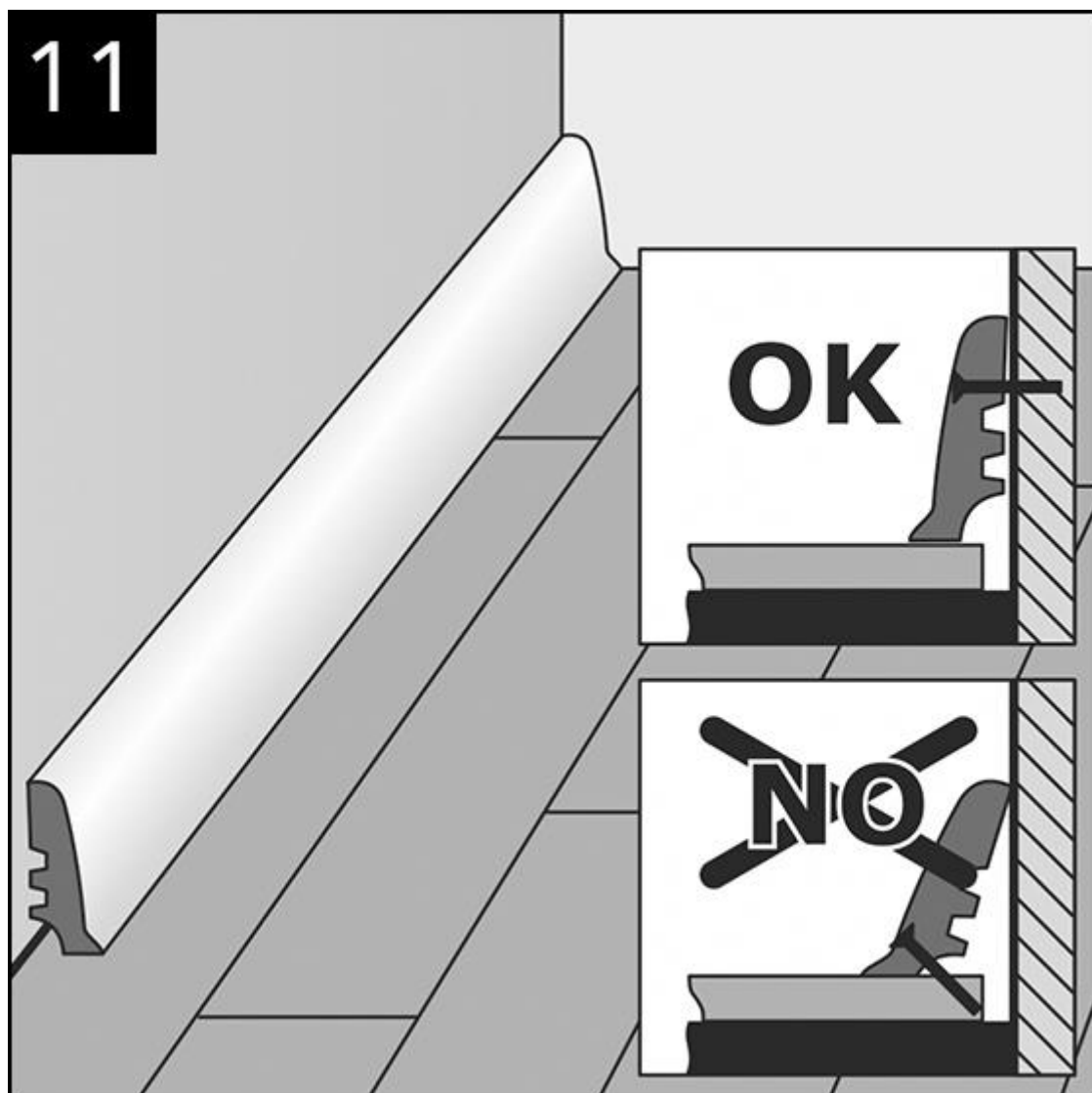




10



11



12

